

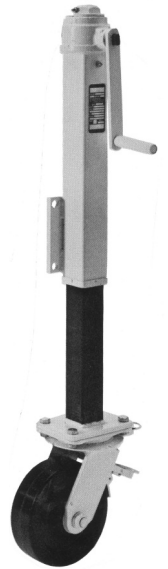
“Four-in-One” CasterJacks Series 31008

1. Lift 2. Lower 3. Swivel 4. Roll

All 31008 series casterjacks can be furnished with or without the casters. Special care must be taken when selecting your caster requirement to make certain you do not exceed the maximum allowable caster size specified for each individual casterjack assembly. Usable size load capability is a factor of the rated load, overall height and the swivel offset of the caster assembly selected. **Kingpinless casters with Nylacron™ wheels are recommended for all casterjacks. For application assistance, contact Acorn™.**

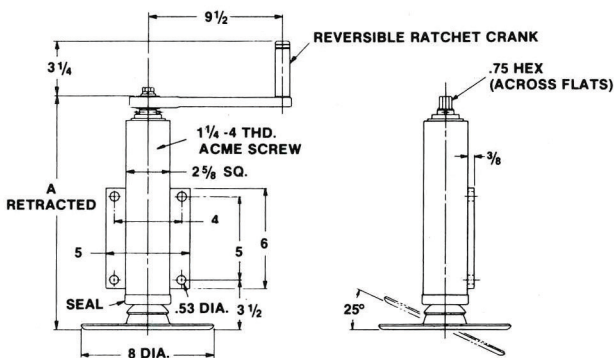


Jack without
Wheels



Jack with
Nylacron™ Wheel

Custom Caster Jacks Available.
Consult Acorn™ for more information and specifications.



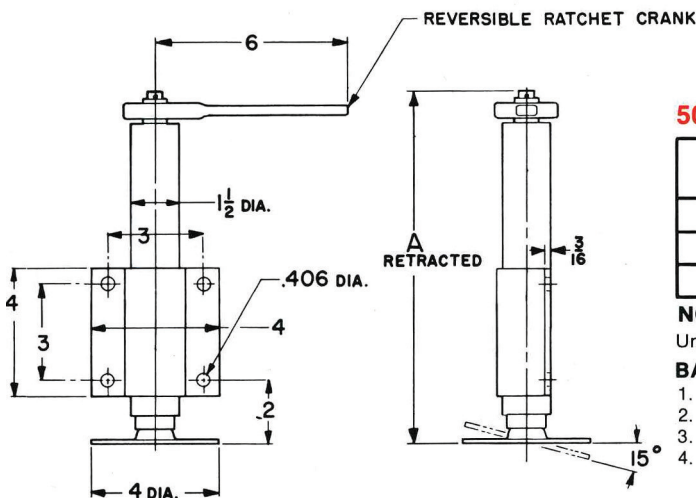
1800 LBS. CAPACITY — RIGID MOUNT

SAGINAW PART NO.	STROKE	A	*SIDE LOAD LB.	WGT.
31050-6	6	16	1200	18
31050-12	12	22	700	25
31050-18	18	28	500	32

NOTE: *Maximum static side load to yield, combined with maximum operating load. Unit must be securely fixed at mounting point of jack side plate to frame member.

BASIC DATA:

- 4 revs. input for 1 inch of stroke.
- 1,800 lb. maximum operating load, compression.
- 4,500 lb. maximum static compression to yield.
- Approx. 240 inch lb. torque input at maximum operating load.
- Furnished with 8 inch crank as shown.



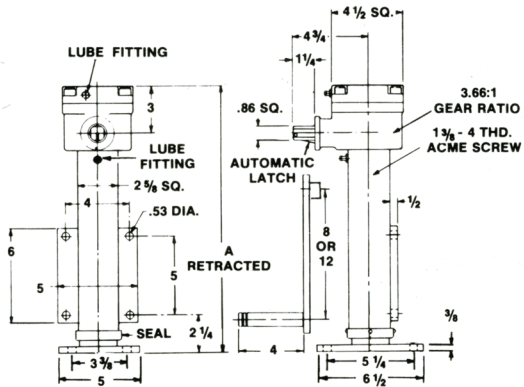
500 LBS. CAPACITY — RIGID MOUNT

SAGINAW PART NO.	STROKE	A	*SIDE LOAD LB.	WGT.
31060-3	3	10	800	5
31060-6	6	13	450	7
31060-9	9	16	300	9

NOTE: *Maximum static side load to yield, combined with maximum operating load. Unit must be securely fixed at mounting point of jack side plate to frame member.

BASIC DATA:

- 6 revs. input for 1 inch of stroke.
- 500 lb. maximum operating load, compression.
- 4,000 lb. maximum static compression to yield.
- Approx. 80 inch lb. torque input at maximum operating load.



BASIC DATA:

- 14.6 revs. input for 1 inch of stroke.
- 1800 lb. maximum operating load, compression.
- Approx. 80 inch lb. torque input at maximum operating load.
- Specify crank: 8 inch, Part No. 10582-K, or 12 inch, Part No. 10582-M.

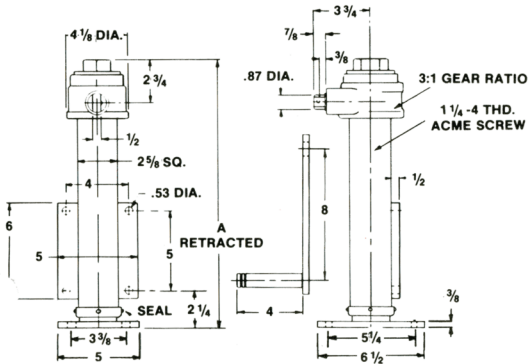
****7500 LBS. CAPACITY FIXED PAD JACK (WITHOUT CASTER)**

JACK DATA				
PART NO.	STROKE	A	WEIGHT LESS CASTER	*SIDE LOAD LB.
31038-3	3	13-3/4	41-1/2	725
31038-6	6	16-3/4	45	600
31038-12	12	22-3/4	52	450
31038-18	18	28-3/4	59	350

1800 LBS. CAPACITY CASTERJACK (WITH CASTER)

CASTER DATA					
PART NO.	MAX. CAPACITY LBS.	MAX. CASTER HEIGHT	MAX. OFFSET	BOLT HOLE SPACING	BOLT DIA.
31038-3	1800	10-5/16	2-1/2	3-3/8 x 5-1/4	1/2
31038-6					
31038-12					
31038-18					

NOTE: *Side load capacity based on 1800 lbs. load with jack at full extension and with caster mounted having a maximum overall height of 10-5/16" and 2-1/2" swivel offset. Unit must be securely fixed at point of jack side plate, and also between jack base plate and caster top plate.
**See basic data for 31030 jack assemblies when using unit less caster.



BASIC DATA:

- 12 revs. input for 1 inch of travel.
- 1800 lb. maximum operating load, compression.
- Approx. 95 inch lb. torque input at maximum operating load.
- Furnished with 8 inch crank, Part No. 14168-4.

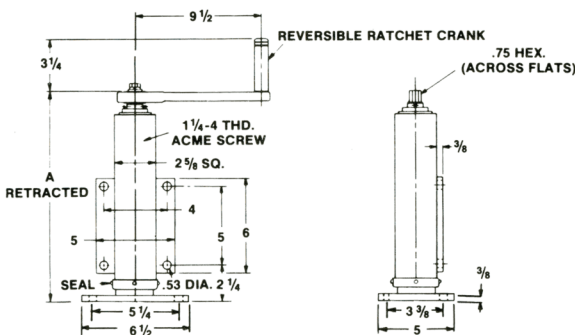
****5000 LBS. CAPACITY FIXED PAD JACK (WITHOUT CASTER)**

JACK DATA				
PART NO.	STROKE	A	WEIGHT LESS CASTER	*SIDE LOAD LB.
31048-3	3	13-5/8	31-1/2	725
31048-6	6	16-5/8	35	600
31048-12	12	22-5/8	42	450
31048-18	18	28-5/8	49	350

1800 LBS. CAPACITY CASTERJACK (WITH CASTER)

CASTER DATA					
PART NO.	MAX. CAPACITY LBS.	MAX. CASTER HEIGHT	MAX. OFFSET	BOLT HOLE SPACING	BOLT DIA.
31048-3	1800	10-5/16	2-1/2	3-3/8 x 5-1/4	1/2
31048-6					
31048-12					
31048-18					

NOTE: *Side load capacity based on 1800 lbs. load with jack at full extension and with caster mounted having a maximum overall height of 10-5/16" and 2-1/2" swivel offset. Unit must be securely fixed at point of jack side plate, and also between jack base plate and caster top plate.
**See basic data for 31040 jack assemblies when using unit less caster.



BASIC DATA:

- 4 revs. input for 1 inch of stroke.
- 1800 lb. maximum operating load, compression.
- Approx. 240 inch lb. torque input at maximum operating load.
- Furnished with 9-1/2 inch crank as shown.

****1800 LBS. CAPACITY FIXED PAD JACK (WITHOUT CASTER)**

JACK DATA				
PART NO.	STROKE	A	WEIGHT LESS CASTER	*SIDE LOAD LB.
31058-3	3	12	16	725
31058-6	6	15	23	600
31058-12	12	21	30	450
31058-18	18	27	38	350

1800 LBS. CAPACITY CASTERJACK (WITH CASTER)

CASTER DATA					
PART NO.	MAX. CAPACITY LBS.	MAX. CASTER HEIGHT	MAX. OFFSET	BOLT HOLE SPACING	BOLT DIA.
31058-3	1800	10-5/16	2-1/2	3-3/8 x 5-1/4	1/2
31058-6					
31058-12					
31058-18					

NOTE: *Side load capacity based on 1800 lbs. load with jack at full extension and with caster mounted having a maximum overall height of 10-5/16" and 2-1/2" swivel offset. Unit must be securely fixed at point of jack side plate, and also between jack base plate and caster top plate.
**See basic data for 31050 jack assemblies when using unit less caster.